

**Floor Drains and Collecting Tanks**  
**Floor Drain with Stainless Steel Grate**  
**- Horizontal outlet 300x300 mm**

ITEM # \_\_\_\_\_

MODEL # \_\_\_\_\_

NAME # \_\_\_\_\_

SIS # \_\_\_\_\_

AIA # \_\_\_\_\_



**328052 (FDD3030)**

Floor drainage channel with  
s/s grate - horizontal outlet,  
300x300

### Short Form Specification

Item No. \_\_\_\_\_

Constructed in 304 AISI stainless steel. Collecting tank with horizontal drain pipe. Anti-slip mesh grate.

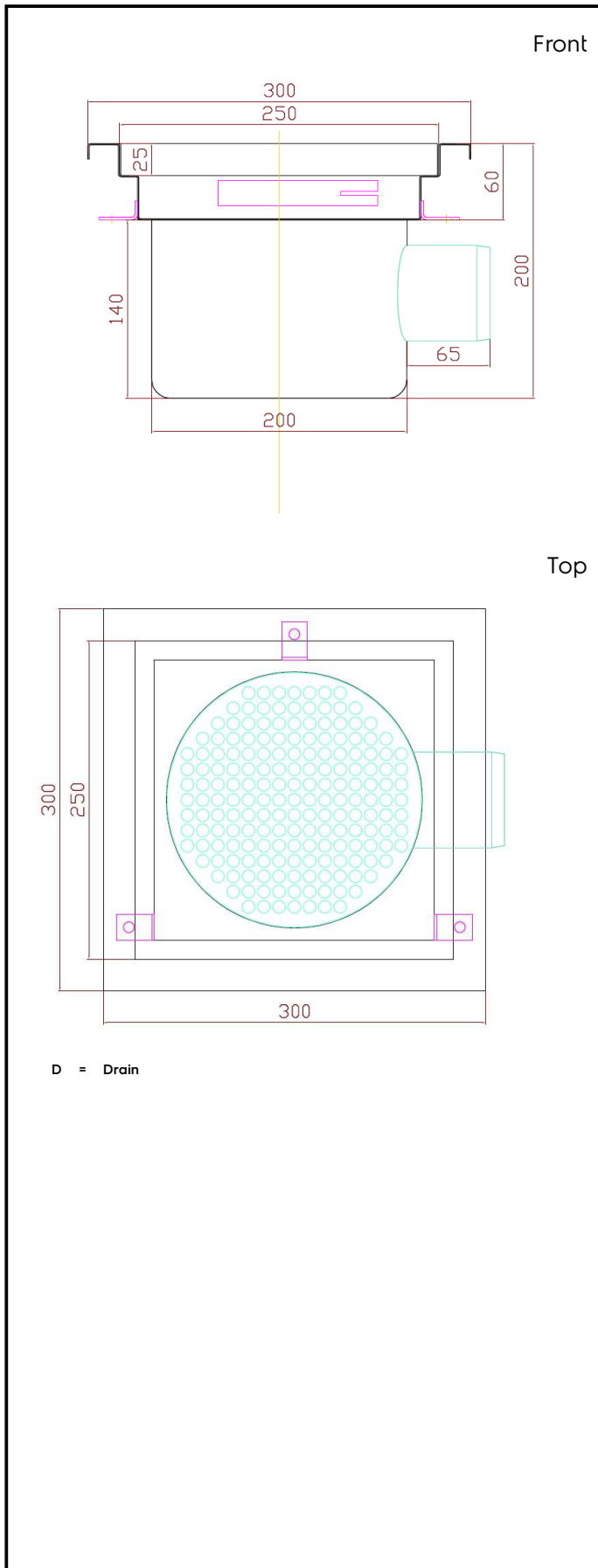
### Main Features

- Easy to install.
- Anti-odour syphon.
- Removable waste blocking filter.
- Rag bolt for floor fixing.
- Easy to inspect for any possible waste removal action.
- Electrochemical finishing gives grids a bright appearance.
- Ideal for any drain solution, particularly suggested for great amounts of water drained during cleaning operations.

### Construction

- Adjustable leveling feet.
- Anti-slip mesh 25x25 mm grating, h=25 mm, 1.5 mm in thickness.
- Top cover available with perforated surface or with stainless steel grid.
- Constructed entirely in 304 AISI stainless steel.
- Collecting tanks available with horizontal drain pipe.

APPROVAL: \_\_\_\_\_



#### Key Information:

|                              |        |
|------------------------------|--------|
| External dimensions, Width:  | 300 mm |
| 328052 (FDD3030)             | 300 mm |
| External dimensions, Depth:  | 300 mm |
| External dimensions, Height: | 200 mm |
| Net weight:                  | 10 kg  |